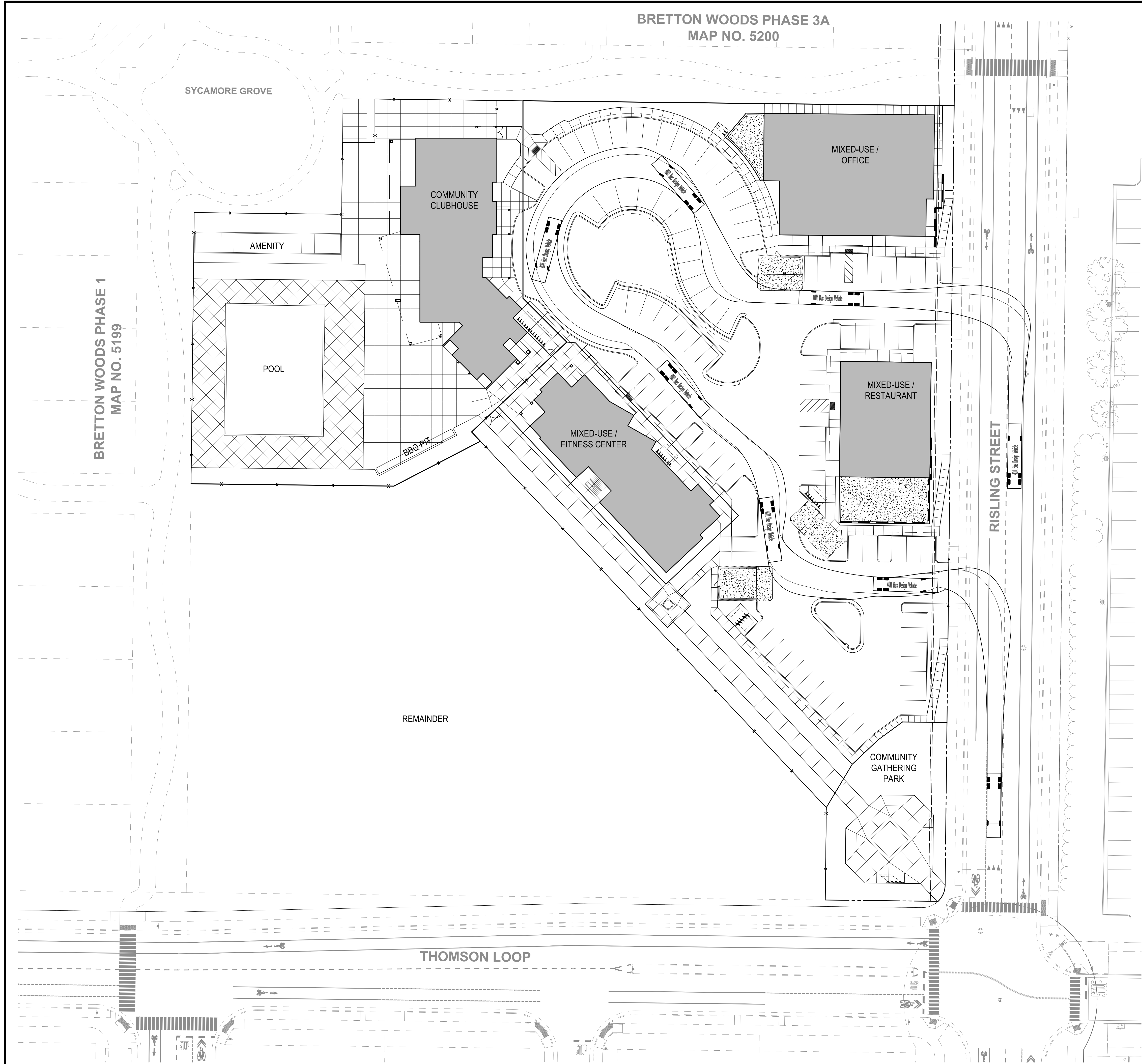
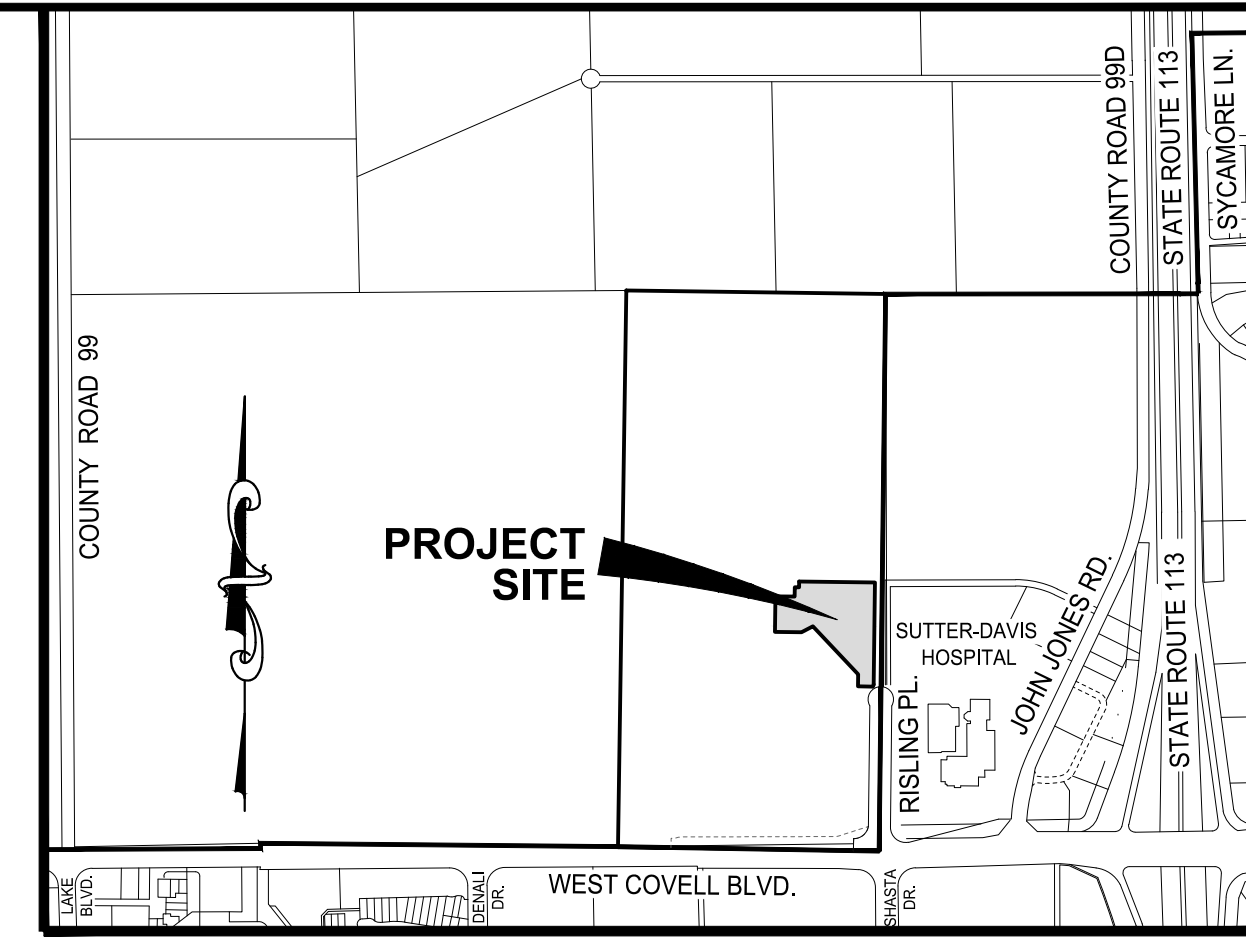


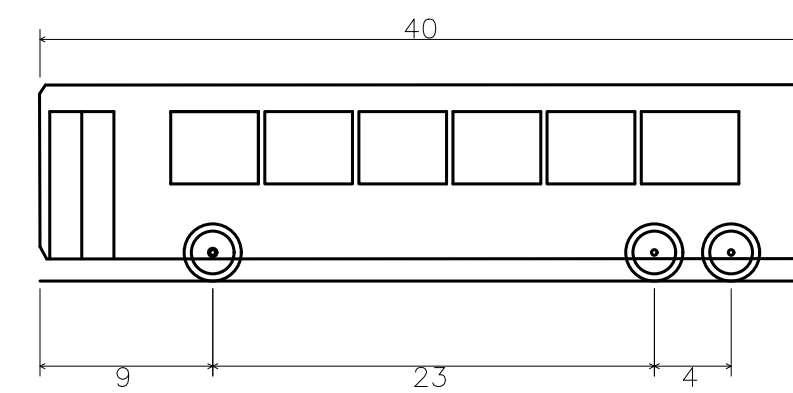
BRETTON WOODS PHASE 3A  
MAP NO. 5200



BRETTON WOODS PHASE 1  
MAP NO. 5199



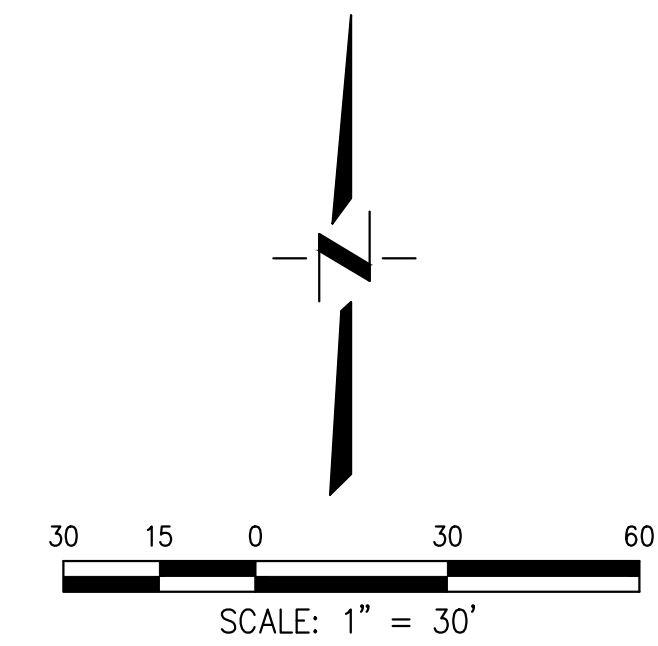
VICINITY MAP  
NTS



NOTES:  
1. DESIGN SPEED = 5 MPH

40ft Bus Design Vehicle	
Overall Length	40.000ft
Overall Width	8.500ft
Overall Body Height	10.228ft
Min Body Ground Clearance	1.158ft
Track Width	8.500ft
Lock-to-lock time	6.00s
Max Steering Angle (Virtual)	41.00°

DESIGN VEHICLE

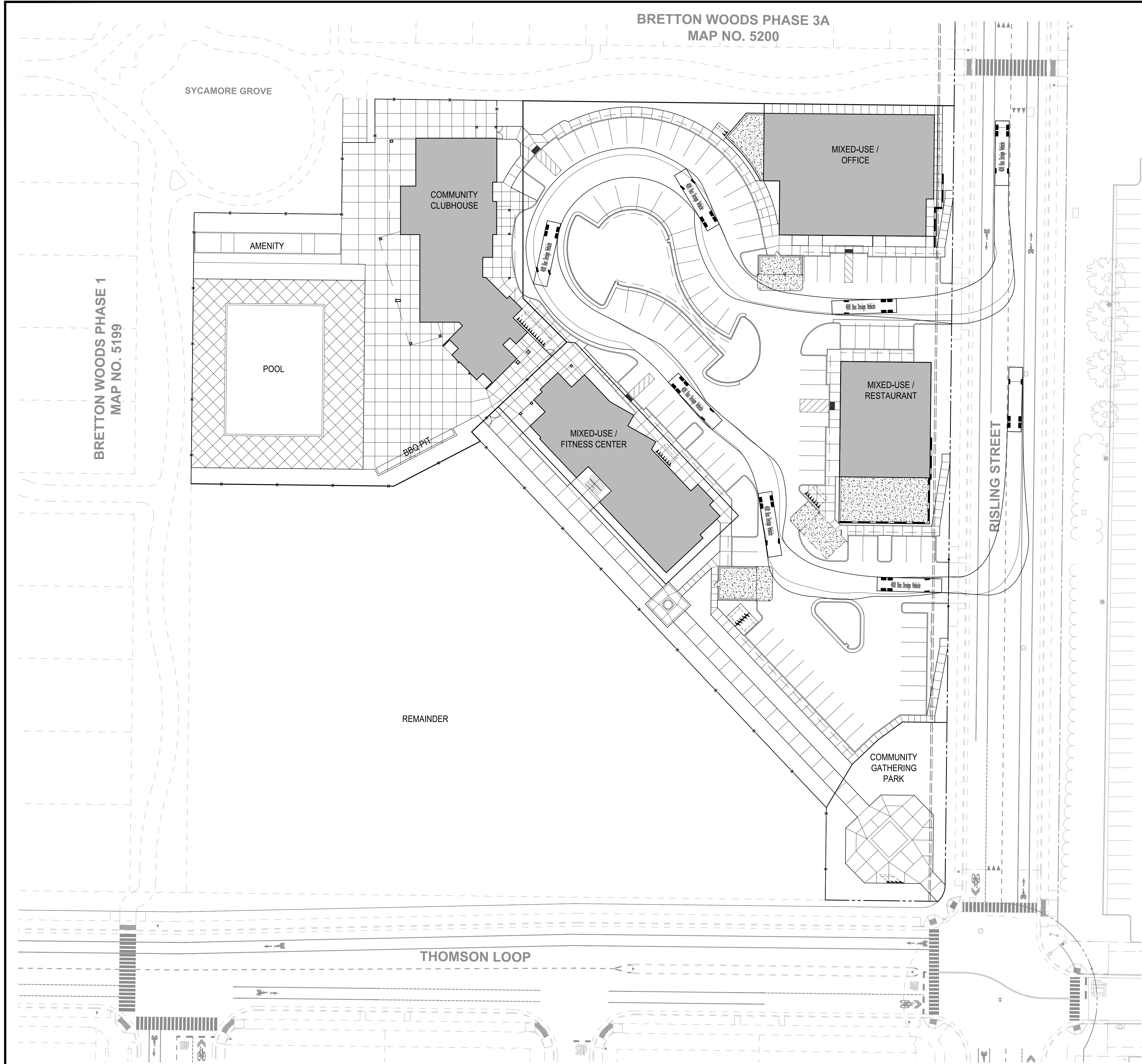


LEFT IN - RIGHT OUT MOVEMENT

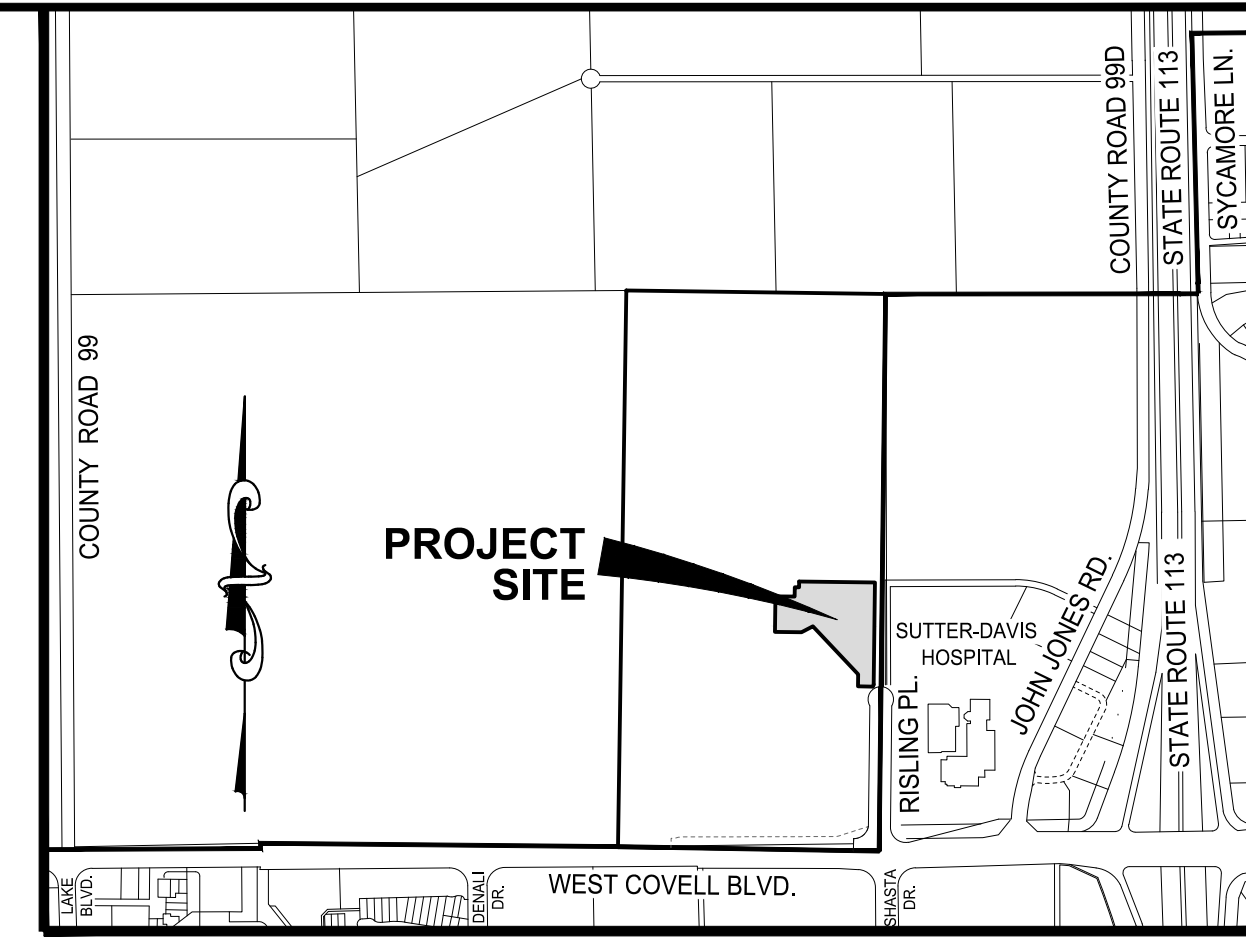
	CECWEST.COM	<b>PROJECT:</b> BRETTON WOODS PHASE 3B AWC	<b>SHEET</b> <b>1</b>
	Project Planning ■ Civil Engineering ■ Landscape Architecture	<b>DESCRIPTION:</b> TURNING MOVEMENTS EXHIBIT	
	■ Sacramento Office 2120 20th Street, Suite Three Sacramento, CA 95818 (916) 455-2026	■ Davis Office 2940 Spafford Street, Suite 200 Davis, CA 95618 (530) 758-2026	
	DATE: 01/29/2021 BY: KM JOB NO: 1594.01.23 SCALE: 1" = 30'		

S:\Projects\1594\1594-01-23 PHASE 3B AWC ENTITLEMENT\EXHIBITS\1594-01-23 TURNING MOVEMENTS EXHIBIT.dwg - TURNING - 1/29/2021 - 11:41AM Plotted by: keenan

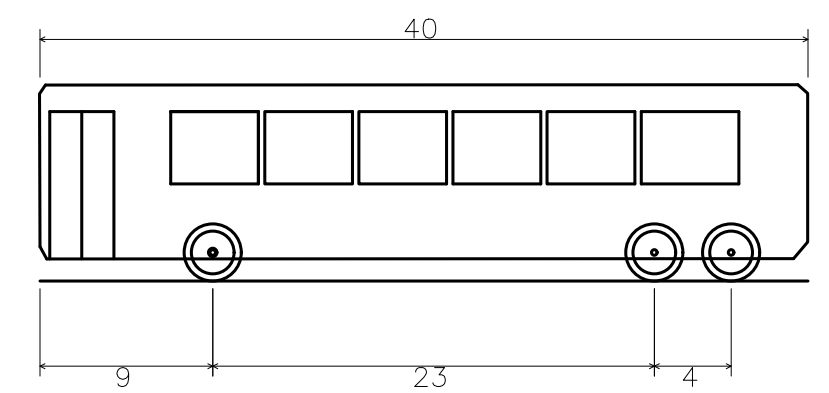
BRETTON WOODS PHASE 3A  
MAP NO. 5200



BRETTON WOODS PHASE 1  
MAP NO. 5199



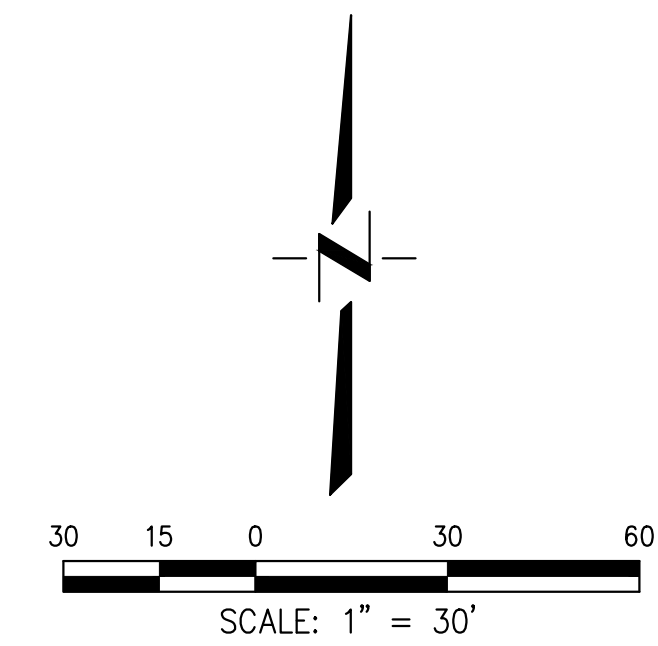
VICINITY MAP  
NTS



NOTES:  
1. DESIGN SPEED = 5 MPH

40ft Bus Design Vehicle	
Overall Length	40.000ft
Overall Width	8.500ft
Overall Body Height	10.228ft
Min Body Ground Clearance	1.158ft
Track Width	8.500ft
Lock-to-lock time	6.00s
Max Steering Angle (Virtual)	41.00°

DESIGN VEHICLE



RIGHT IN - LEFT OUT MOVEMENT

	CECWEST.COM	<b>PROJECT:</b>	<b>BRETTON WOODS PHASE 3B AWC</b>
	Project Planning ■ Civil Engineering ■ Landscape Architecture	<b>DESCRIPTION:</b>	<b>TURNING MOVEMENTS EXHIBIT</b>
	■ Sacramento Office      ■ Davis Office	<b>DATE:</b>	01/29/2021
	2120 20th Street, Suite Three Sacramento, CA 95818 (916) 455-2026	2940 Spafford Street, Suite 200 Davis, CA 95618 (530) 758-2026	<b>BY:</b>
		<b>JOB NO:</b>	1594.01.23
		<b>SCALE:</b>	1" = 30'
			<b>SHEET</b>
			<b>2</b>

S:\Projects\1594\1594-01-23-Phase 3B AWC-ENTITLEMENT\1594-01-23-TURNING MOVEMENTS EXHIBIT.dwg - TURNING (2) - 1/29/2021 - 11:56AM Plotted by: keenan